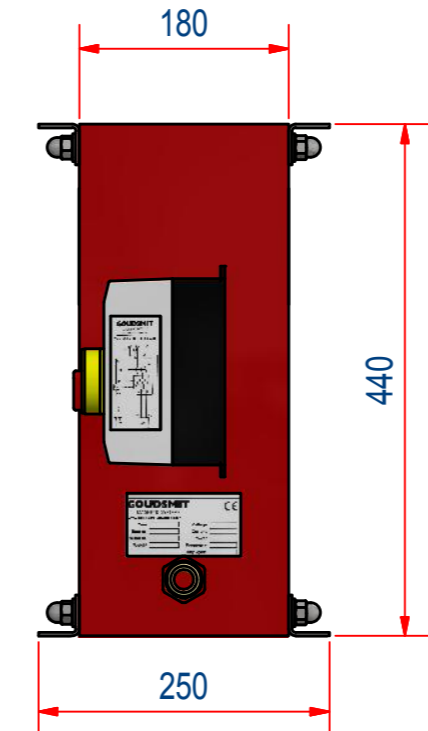
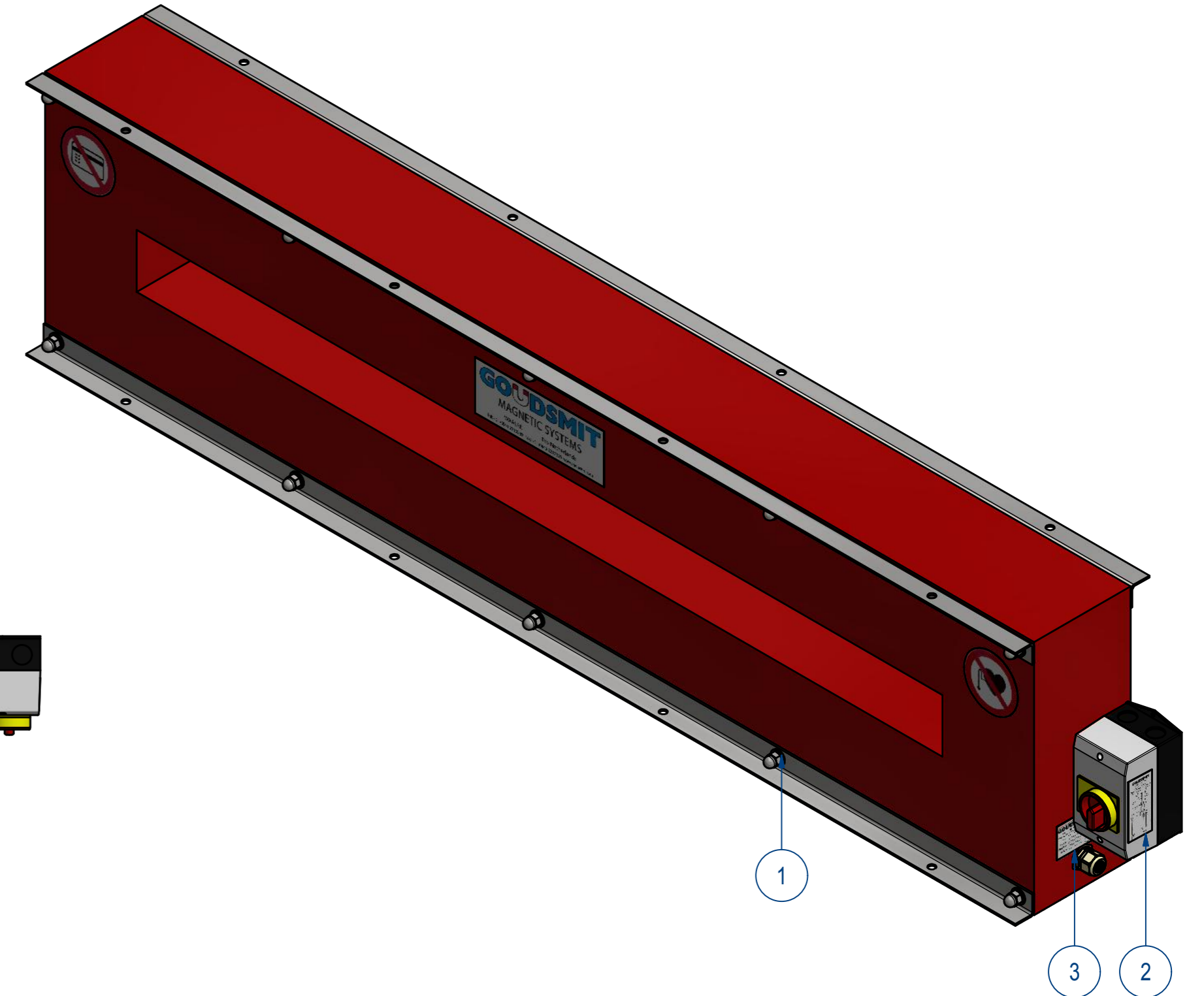
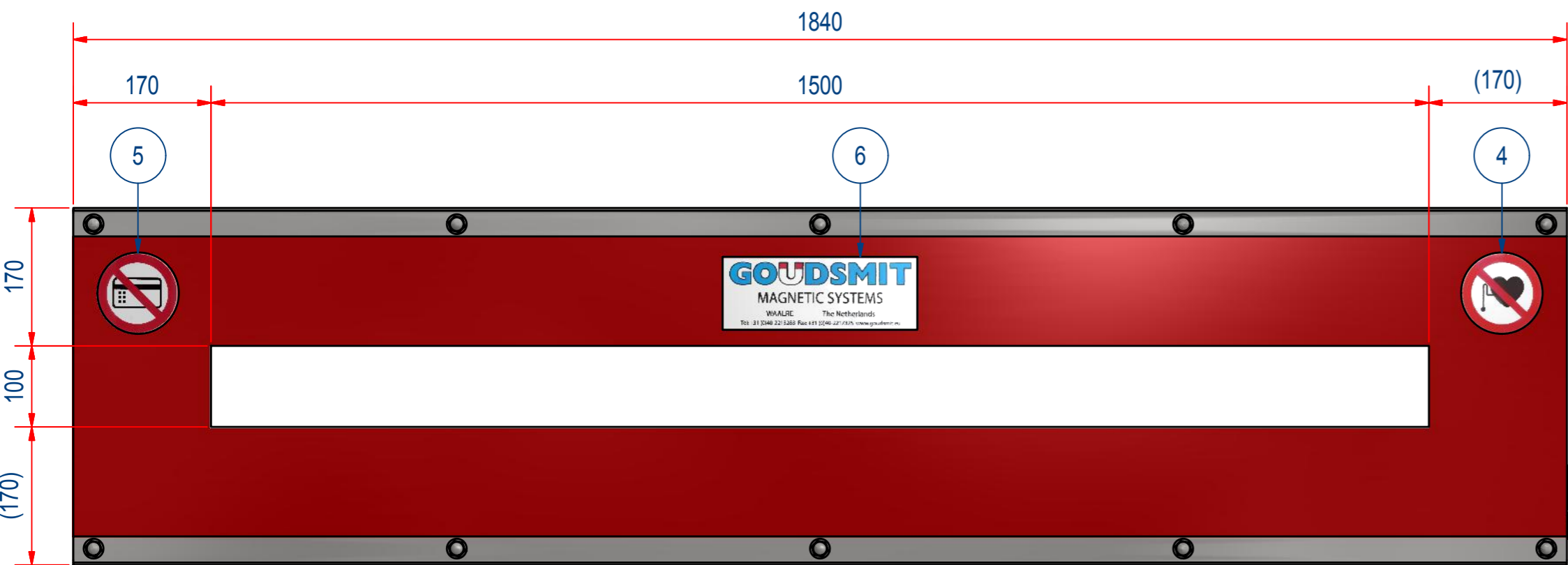
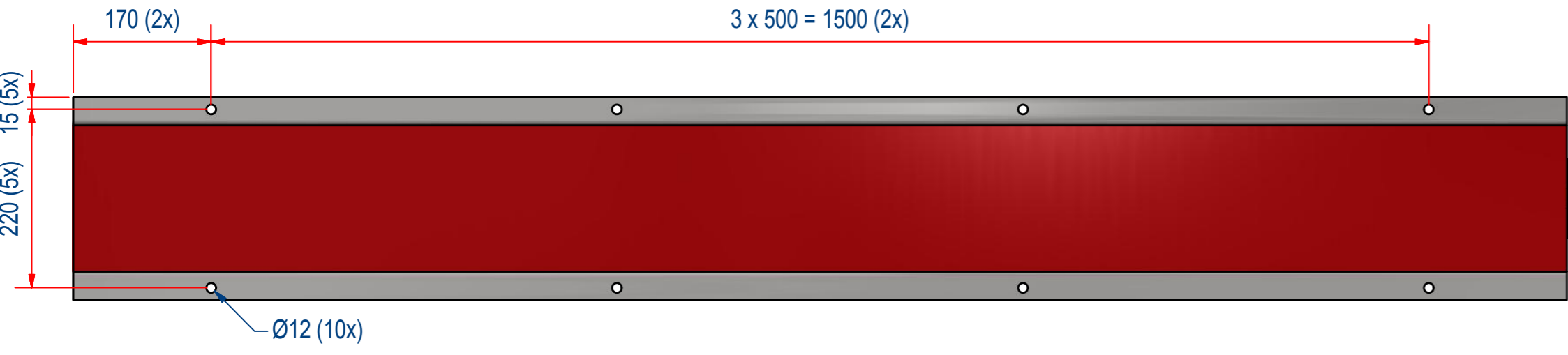


REV	DATE	BY	DESCRIPTION
-	15-4-2015	AvD	REFERENCE DRAWING EDTR001000



CABLE 5x2.5 BLACK L=5000 NOT SHOWN

VOLTAGE: 400 V, 50 Hz
CURRENT: 24.6 A
POWER: 9850 VA

ITEM	QTY	PART NUMBER	DESCRIPTION	Dimensions
6	2	1000.20002	STICKER GOUDSMIT 240X90	
5	2	1000.20048	STICKER MAGN. CARD FORB. D=100	
4	2	1000.20043	STICK. PACEMAKER FORB. D=100	
3	1	P190179	STICKER DEMAG. TUNNEL	
2	1	M62859	STICKER DEMAG. TUNNEL 230VAC	
1	1	E0032412	DEMAG. ASSEMBLY EDTR001001	

RAW MAT.	QTY	MAT. NUMBER	MAT. DESCRIPTION	LENGTH (mm)	WIDTH (mm)
	1				

Sheet: A2	Extra info: DUTY CYCLE: 100%	General tolerance: ISO 2768- mK
Drawn: AVD	Weight (kg): 301,2	Drawn according: ISO268; ISO1101; ISO2553
Date: 15-4-2015		Status: Released
Spare part: False		Customer reference number:
Quick search: EDTR1500100	© All rights reserved. Reproduction is not permitted without written permission of GOUDSMIT Magnetic Systems BV	File number: E0032413
Description: DEM TUNNEL 1500x100 9850VA 400V		Part number: EDTR001001